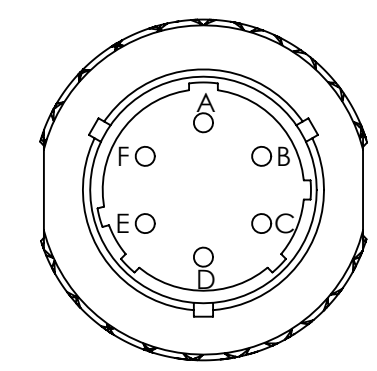
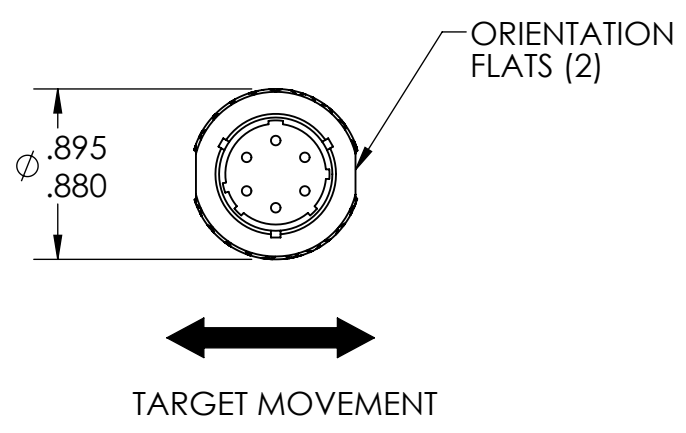
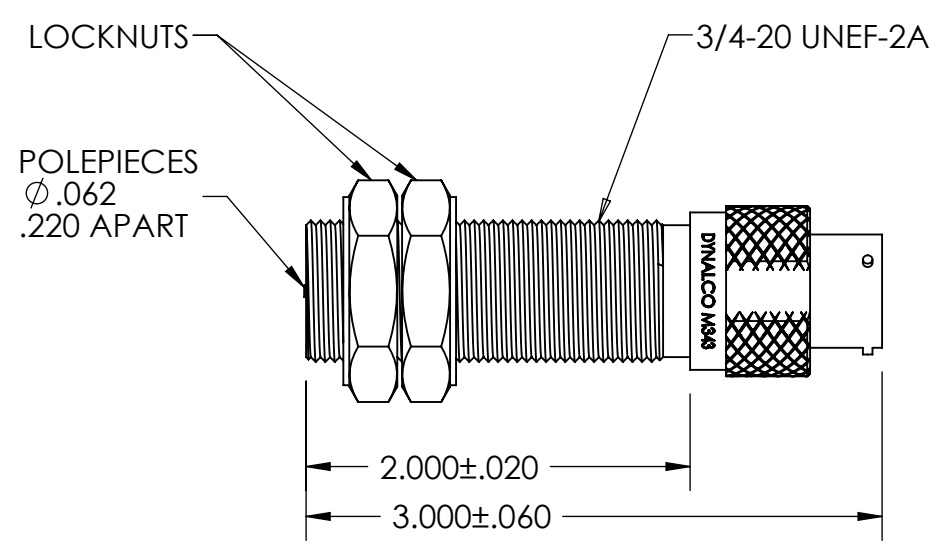


REV	ECN	REVISION RECORD	DATE	DR	CK
A		SPECS REVISED	3/22/96		LOC
B	2380		4/20/00		LOC
C	9489	REDRAWN	12/09/15	PV	JR



**ELECTRICAL CONNECTIONS**

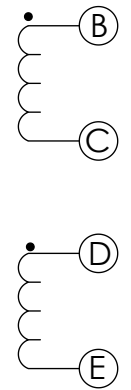
- PIN A NO CONNECTION
- \* PIN B OUTPUT #1
- PIN C
- \* PIN D OUTPUT #2
- PIN E
- PIN F NO CONNECTION

HOUSING: STAINLESS STEEL  
 CONNECTION: MATES WITH MS3116-10-6s DENOTES SAME OUTPUT POLARITY.

**SPECIFICATIONS:**

OPERATING TEMPERATURE: -65°F TO +225°F  
 \* OUTPUT VOLTAGE: 15 Vpp TYP. AT 1000 IN/SEC,  
 0.005 IN AIR GAP AND 20 PITCH GEAR.  
 COIL RESISTANCE: 135-155 OHM  
 INDUCTANCE: 12.5 mH TYP.  
 INSULATION RESISTANCE: 100 MEG OHM MIN @ 500 VDC,  
 BETWEEN COILS AND HOUSING.  
 POLARITY: WITH APPROACH OF FERROUS METAL  
 PINS B & D BECOME POSITIVE WITH  
 RESPECT TO PINS C & E.  
 CABLE ASSEMBLY: SEE DWG A8004393  
 \* NOTE: OUTPUT VOLTAGE IS DIRECTLY PROPORTIONAL  
 TO SURFACE SPEED AND INVERSELY PROPORTIONAL  
 TO AIR GAP.

**SCHEMATIC**



UNLESS OTHERWISE SPECIFIED		THIRD ANGLE PROJECTION	
DIMENSIONS ARE IN INCHES DIMENSIONAL TOLERANCES: FRACTIONAL ± 1/64 ANGULAR: ± 1/2° XX ± 0.010 XXX ± 0.005		<b>DYNALCO</b>	
DATE: 11/8/95	MODEL: M343	DRAWN	
MATERIAL:	PATH:	APPROVED	LOC
FINISH:	TITLE: DUAL COIL MAGNETIC PICKUP M343		REV
	SIZE <b>B</b>	DWG. NO. <b>800-0343</b>	<b>C</b>
DO NOT SCALE DRAWING	SCALE 1:1	WEIGHT	SHEET 1 OF 1

THIS DOCUMENT, ALL INFORMATION CONTAINED IN AND ALL INFORMATION RELATED TO, IS PROPERTY OF DYNALCO, IS CONFIDENTIAL TO IT AND NO PART THEREOF NOR ANY SUCH INFORMATION MAY BE COPIED, DISSEMINATED OR USED IN ANY MANNER WHATSOEVER WITHOUT THE PRIOR WRITTEN CONSENT OF DYNALCO AND IS TO BE RETURNED TO DYNALCO UPON REQUEST.